

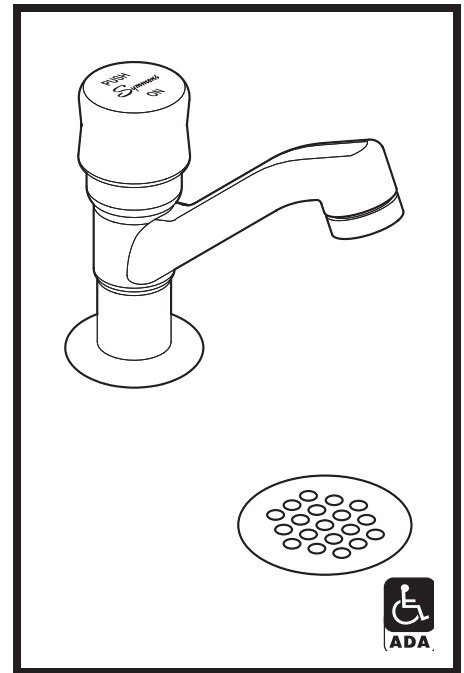
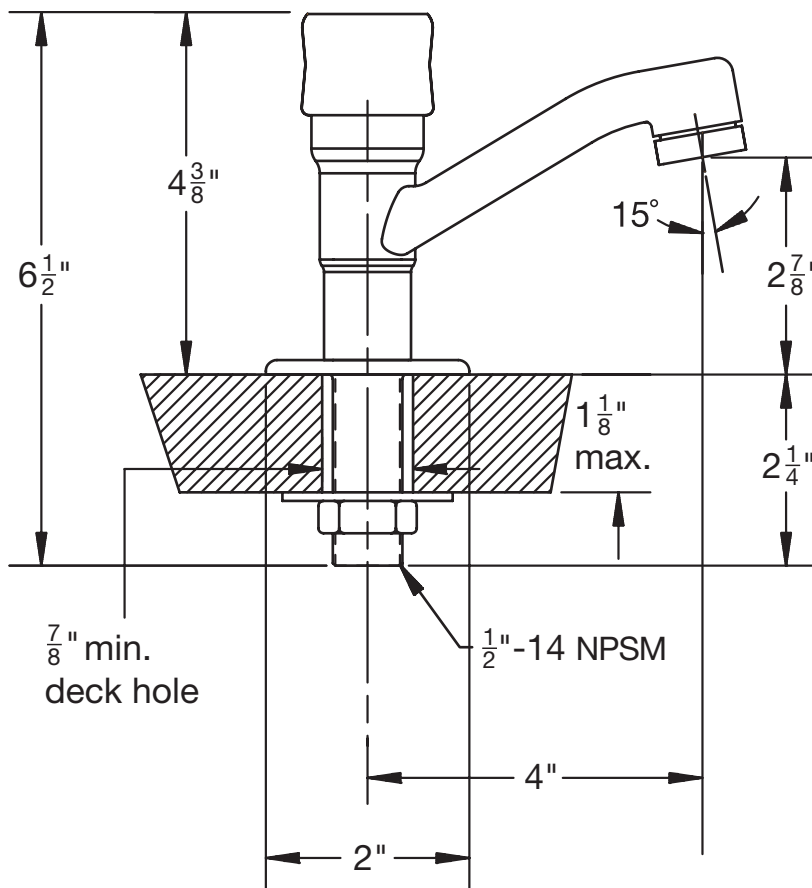


S-71 Single Post Metering Faucet

Single Post Metering Faucet to meter a single cold, hot or tempered water supply. Adjustable time limit stop to adjust flow time. Vandal resistant 0.5 gpm spray outlet.

Modifications: Add Suffix:

- Suffix G:** Grid strainer drain assembly
- Suffix A:** Vandal resistant aerator in place of 0.5 gpm spray outlet (1.25 GPM at 50 PSI)
- Suffix 1.5:** Flow rate restrictors, 1.5 gpm (5.7 L/min)
- Suffix NA:** Non-aerated laminar flow outlet
- Suffix QC:** Quick closing feature
- Suffix OFG:** Offset grid strainer
- Suffix C:** Cold marking on cap
- Suffix H:** Hot marking on cap



SYMMONS PRODUCTS MEET ANSI A112.18.1M, EPA '92 AND ALL KNOWN FLOW RATE REQUIREMENTS. Metering Faucets 0.25 gallons per cycle (1.0 L/cycle)

Job/Location

.....

Engineer

.....

Contractor

.....

For ADA compliance (Americans with Disabilities Act) consult ADAAG or your state regulations for proper product choice and mounting locations.

Symmons Industries, Inc. ■ 31 Brooks Drive ■ Braintree, MA 02184
 (800) 796-6667, (781) 848-2250 ■ Fax (800) 961-9621, (781) 843-3849
 Website: www.symmons.com ■ Email: customerservice@symmons.com

