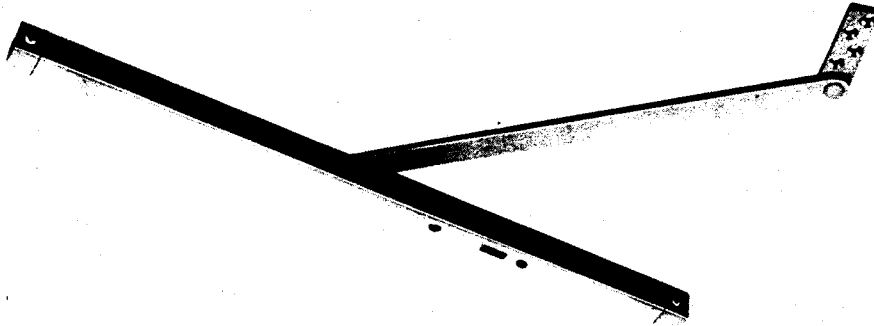


GLYNN-JOHNSON

90 SERIES SURFACE OVERHEAD DOOR HOLDERS / STOPS Heavy Duty



- All New Design
- Hold Open, Stop Only, Friction Functions
- Selective, Adjustable Hold Open Mechanism
- Interchangeable Functions
- Brass/Bronze, Steel and Stainless Steel Substrates
- Improved Compatibility with Door Closers
- Exceeds All Criteria for BHMA Grade 1 Holders / Stops
- Improved Jamb Bracket Design
- Widest Range of Finishes
- Simplified Standardized Sizing

GLYNN-JOHNSON

P.O. Box 6135
Indianapolis, IN 46206
1-800-525-0336 (Customer Service)
317-899-9440 (General Office)

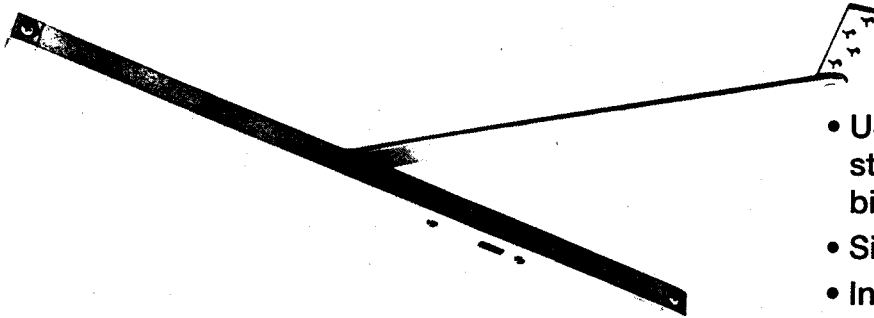
FAX:
1-800-525-0337 (Customer Service)
317-899-9432 (General Office)

C17

In Canada:
Ingersoll-Rand Door Hardware
Port Credit P.O. Box 100
Mississauga, Ontario L5G 4L5
TEL: 905-278-6128 • FAX: 905-278-1413
©1997 Printed in U.S.A.

GLYNN-JOHNSON

90 Series



- US32 and 32D finishes on stainless steel material — Increased durability and corrosion resistance!
- Single or double acting doors
- Interior / exterior applications
- Reversible, non-handed

Glynn-Johnson 90 series surface mounted holders and stops provide the most versatile and attractive variety of functions, materials and finishes to fit heavy duty applications. Models are available in 300 series stainless steel, brass/bronze, and steel materials. The broadest range of finishes in the industry are furnished to complement design requirements.

Three basic models are available, each offered in five sizes to accommodate virtually all openings. The models available include:

- **90H Series** - Hold-Open Model
- **90F Series** - Friction Hold-Open Model
- **90S Series** - Stop-Only Model

All models incorporate a heavy duty channel and slide arm design and offset jamb brackets for improved compatibility with door closers. Unique design allows for simple field changing of functions to compensate for changes in user requirements. If, for example, a hold-open model is furnished and it is determined at a later date that a stop-only model would better suit the application, a simple field change can be made to convert the hold-open unit to a stop-only function, or to friction if so required. Kits are available for simple conversion in the field.

90H series hold-open units feature a selective hold-open mechanism which is easily controlled by a serrated knob on the underside of the channel. Flipped one way the control knob engages the hold-open mechanism, allowing the door to be held open at a predetermined position from 85° to 110°. Flipped the opposite way, the unit acts as a stop and shock absorber. The tension on the hold-open mechanism is adjustable to satisfy individual requirements due to air currents or exterior conditions.

90S series stop-only units feature the same rugged shock absorbing mechanism used on the hold-open model, but the hold-open mechanism is removed.

90F series friction hold-open models provide a heavy duty multi-point hold open mechanism, permitting the door to be held open at various degrees. The tension on the friction mechanism is adjustable to suit field requirements..

All models are available in brass/bronze, 300 series stainless steel, and steel substrates. US3, 4, 10, 10B finishes are furnished on a brass/bronze substrate. All new 300 series stainless steel is furnished in US32 and 32D finishes, offering the highest resistance to corrosion. Steel units are available in S1 (sprayed bronze), S2 (sprayed brass), S3 (sprayed aluminum), S4 (sprayed black) and S5 (sprayed 10B), and also 652 plated finish. Steel units feature a corrosion resistant pretreatment prior to painting. Brass, bronze and stainless material are highly recommended for applications that are exposed to exterior or otherwise corrosive elements, while all four base materials are suitable for normal interior use.

All 90 series models are designed for heavy duty applications and will provide long lasting protection for doors, frames and hardware. Refer to pages C19 / C20 for additional application information and to sizing chart for specific model selection.

Other options available:

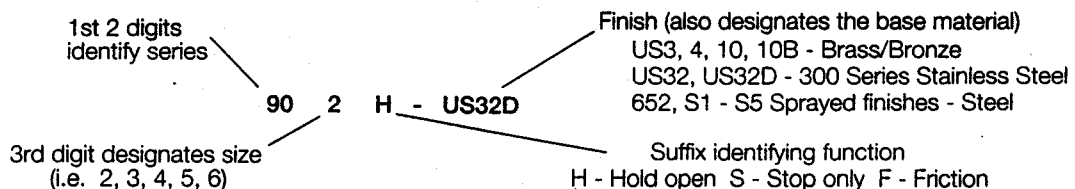
Suffix J - Angle Jamb Bracket - Used to convert standard unit to hinge side or flush transom mounting (ordered as 80/90J and affixed to standard jamb bracket).

Suffix SE - Stop only model is furnished less shock absorber (for use with single-point hold-open electronic closers).

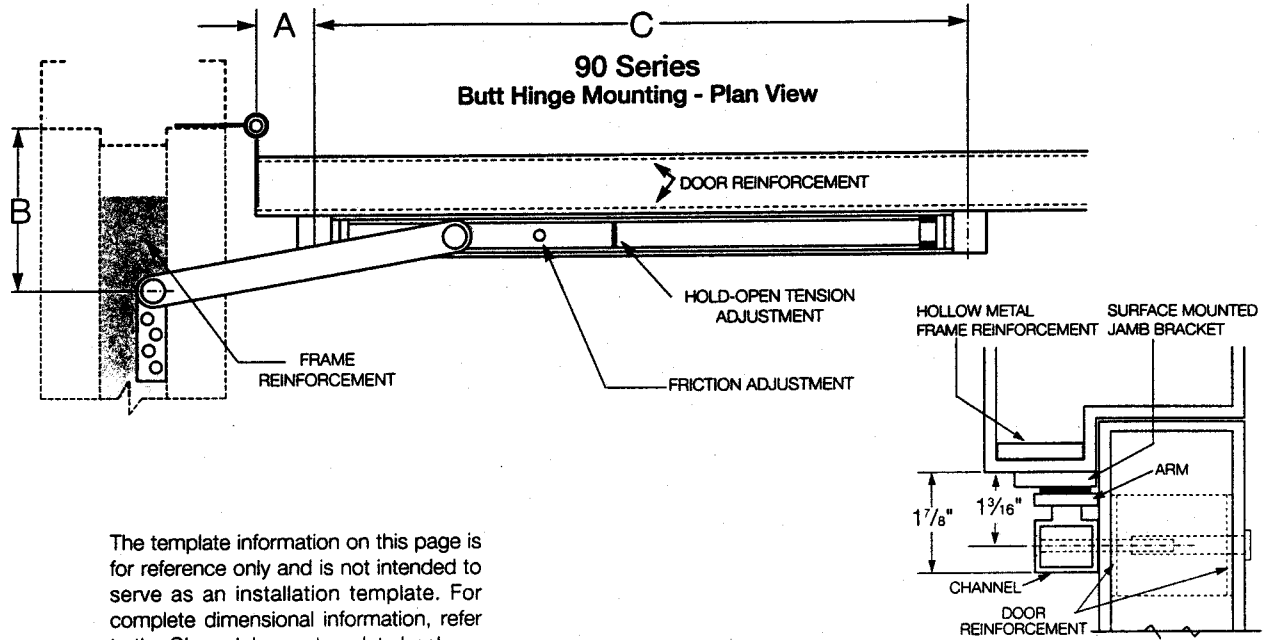
Example:

902H-US32D

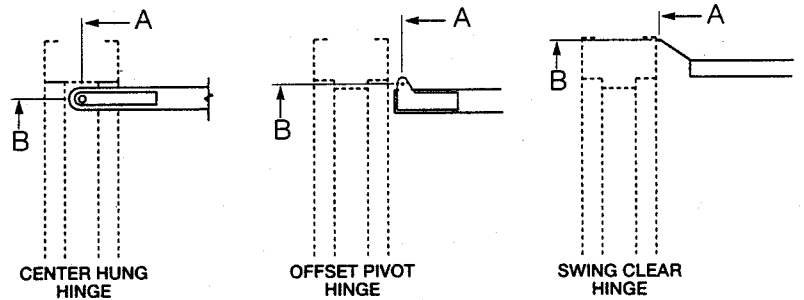
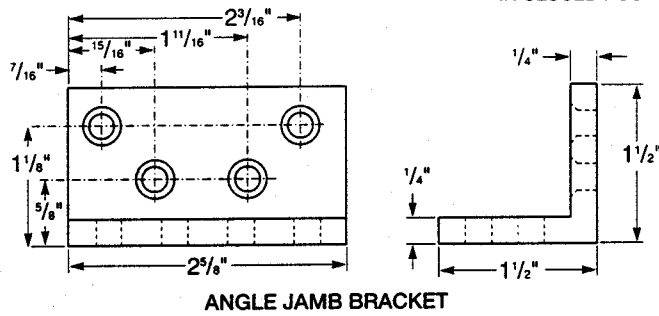
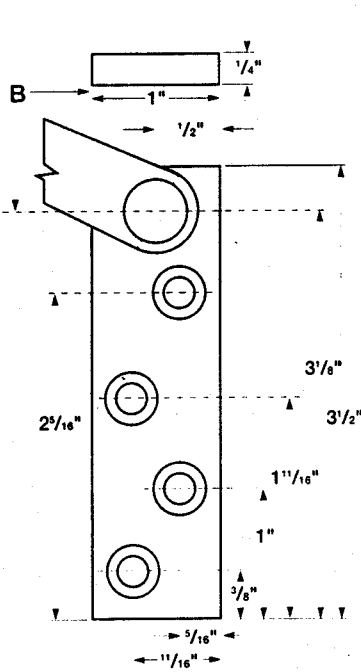
ORDERING INFORMATION



GLYNN-JOHNSON



The template information on this page is for reference only and is not intended to serve as an installation template. For complete dimensional information, refer to the Glynn-Johnson template book.



STANDARD JAMB BRACKET

90 SERIES SIZING CHART								
SIZE	BUTTS/OFFSET PIVOTS				CENTER HUNG			
	DOOR OPENING	STOP ONLY	HOLD OPEN	FRICTION	DOOR OPENING	STOP ONLY	HOLD OPEN	FRICTION
1	---	---	---	---	---	---	---	---
2	23 1/16" - 27"	902S	902H	902F	27 1/16" - 33"	902S	902H	902F
3	27 1/16" - 33"	903S	903H	903F	33 1/16" - 39"	903S	903H	903F
4	33 1/16" - 39"	904S	904H	904F	39 1/16" - 45"	904S	904H	904F
5	39 1/16" - 45"	905S	905H	905F	45 1/16" - 51"	905S	905H	905F
6	45 1/16" - 54"	906S	906H	906F	51 1/16" - 59"	906S	906H	906F

Note: This chart illustrates the most common types of hinging and door opening sizes. For unusual door details, contact Glynn-Johnson for availability.

GLYNN-JOHNSON**APPLICATION INFORMATION**

90 series holders and stops provide the most rugged surface mounted heavy duty door control. The channel is surface mounted to the door, most often with sex bolts, and the jamb bracket is surface mounted to the jamb, with a minimum of door and frame preparation. The attractive design is furnished in a wide variety of finishes to complement overall building needs.

These units may be used in conjunction with many surface applied door closers. In some cases, door closers may need to be mounted with optional drop brackets which are available from closer manufacturers. Glynn-Johnson also provides an angle jamb bracket (suffix J) which allows the holder or stop to be mounted on the hinge or pull side of the door. This angle jamb bracket may also be used for flush transom mounting. Templates provided allow for variable mounting positions, ranging from 85° - 110° hold open/stop angle. **90** series holders are designed for installation in virtually all types of doors and frames and may be used on doors mounted on conventional butt type hinges, offset pivots, continuous hinges, as well as swing clear hinges and numerous other specialty type hinges. Refer to templates for standard type mounting arrangements. Refer any special applications to your local representative or to the factory for additional information.

90 series holders are designed for heavy duty applications. They are ideal for use on high-frequency openings or large wide doors and will provide long lasting protection to the door, frame, hinges, related hardware and surrounding walls or obstructions. The hold open function should be used where it is desired to hold a door open at a predetermined position for short or long periods of time, permitting an unobstructed traffic flow through the opening.

When the hold open function is not a requirement, the stop only function (suffix S) provides the same effective door control minus the hold open feature. Friction hold open models (suffix F) provide an alternative holding method which is ideal for patient room doors, wardrobe or closet doors, or similar applications where multiple hold open positions are desired.

When stop only models are used in conjunction with single point hold open electronic door closers, the stop only function may be ordered less the shock absorbing mechanism (suffix SE, i.e. 902SE). Used as an auxiliary stop with these closers, they will prolong the life of the closer as well as related hardware. Caution should be used when using this option in other applications as the elimination of the shock absorbing spring can put added stress on door and frame if used improperly.

For situations where a wall or similar obstruction (i.e. doors that open back-to-back) is in place at 110° or less opening angle, dead stop templating should be used. Dead stop templating can be used on hold open, friction and stop only models. The dead stop position is where the shock absorbing spring is fully compressed. Therefore when dead stop templating is used, the initial degree of opening will be 5 to 7 degrees less than the dead stop opening. As an example, if the holder is templated for 100° dead stop then the door will open somewhere between 93° to 95° and not go any further than 100°.

Environmental conditions should always be considered when specifying overhead holders and stops. Doors that open to the exterior of a building or are subject to corrosive conditions should be equipped with a holder constructed primarily of stainless steel, brass or bronze materials to insure a long operating life free of rust and corrosion. For interior conditions, steel material may be acceptable although brass and bronze substrates will, in general, provide a more attractive architectural grade finish.

Glynn-Johnson provides the most complete line of overhead holders and stops, providing solutions for the most complex door control problems. Refer to Glynn-Johnson literature for complete information on our various models.

SCREW DETAILS:

Jamb: 4 - #14 x 1 1/2" flat head wood screws

4 - 1/4" - 20 x 3/4" flat head machine screws

Door: 2 - 5/16" - 18 x 1 1/2" pan head machine screws

2 - 5/16" - 18 x 1 9/16" sex bolts

BHMA/ANSI, FED. SPEC. CROSS REFERENCE**

G-J Model	BHMA*	ANSI	FED. Spec.
902-906 H	C02511	156.8	1161
902-906 S	C02541	156.8	1161A
902-906 F	C02531	156.8	-----

*First numeral (0) designates optional material.

To specify:

Brass/bronze material, change 0 to 1 (i.e. C12511)

300 Series stainless steel material, change 0 to 5 (i.e. C52511)

Steel material, change 0 to 8 (i.e. C82511)

**Based on ANSI 156.8 standard for door controls - Overhead holders and stops - 1993.

GLYNN-JOHNSON

P.O. Box 6135
Indianapolis, IN 46206
1-800-525-0336 (Customer Service)
317-899-9440 (General Office)

FAX:
1-800-525-0337 (Customer Service)
317-899-9432 (General Office)

C20

In Canada:
Ingersoll-Rand Door Hardware
Port Credit P.O. Box 100
Mississauga, Ontario L5G 4L5
TEL: 905-278-6128 • FAX: 905-278-1413
©1997 Printed in U.S.A.